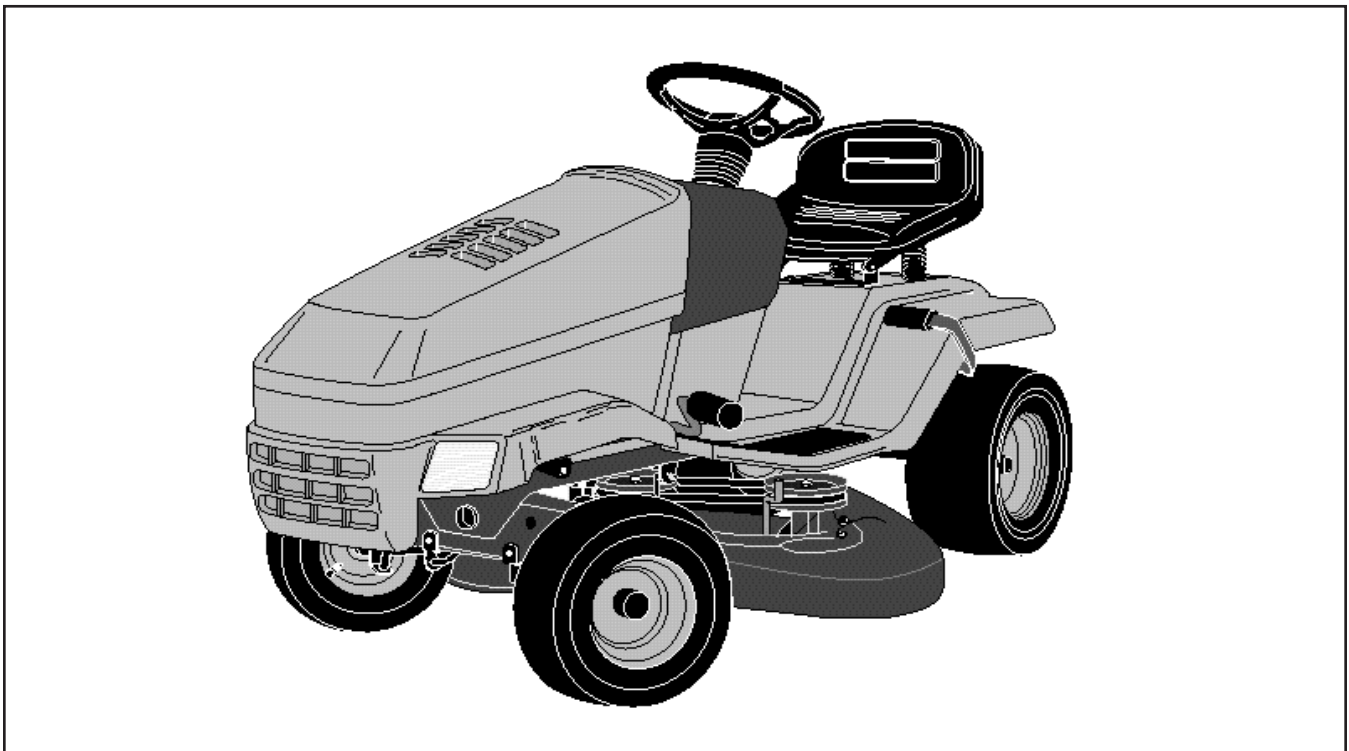


# LRH 125



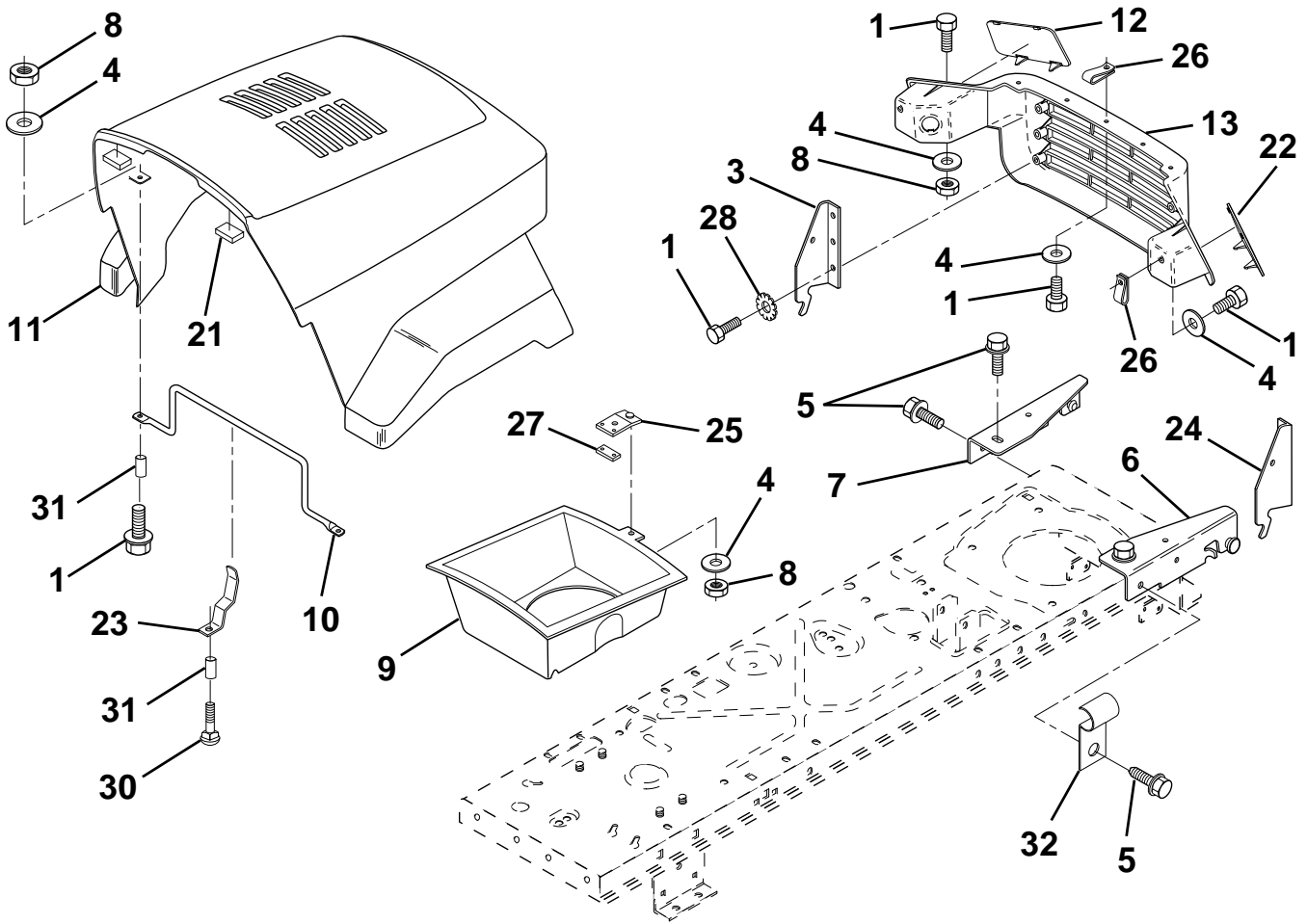
**Ride Mower**

**954001222A**

# REPAIR PARTS

12.5 HP 38" TRACTOR-MODEL NO. LRH125 (954001222A)

## HOOD



KEY NO.	PART NO.	DESCRIPTION	KEY NO.	PART NO.	DESCRIPTION
1	874780410	Bolt Fin Hex 1/4-20 x 5/8	22	532130985	Lens RH
3	532128445	Bracket Pivot Hood LH	23	532139969	Latch Hood
4	819091216	Washer 9/32 x 3/4 x 16 Ga.	24	532142873	Bracket Pivot Hood RH
5	817490512	Screw Thdrol 5/16-18 x 3/4	25	532138740	Clip Asm. Duct Air
6	532140051	Bracket Asm. Pivot Hood RH	26	532052921	Clip Tinnerman
7	532140050	Bracket Asm. Pivot Hood LH	27	532131028	Clip Tinnerman
8	873510400	Nut Keps 1/4-20	28	811050400	Washer Lock Ext Tooth
9	532123840	Duct Air Hood	30	872050411	Bolt RDHD Sht Nk 1/4 - 20 x 1-3/8
10	532130850	Brace Hood	31	532138748	Spacer
11	532140142	Hood	32	532124996	Clip Line Fuel
12	532130986	Lens LH			
13	532130984	Grille			
21	532126938	Bumper Hood			

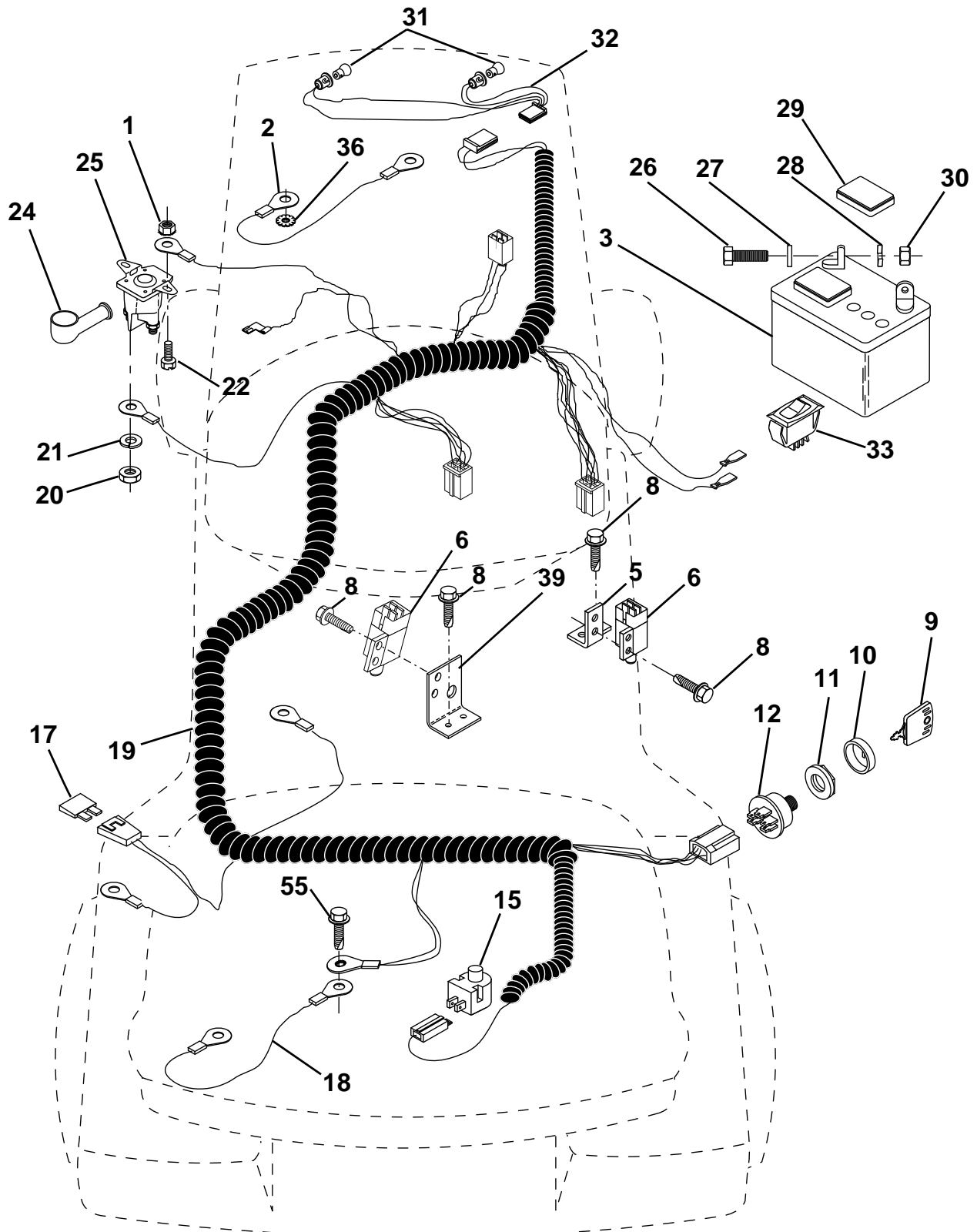
**NOTE:** All component dimensions given in U.S. inches  
1 inch = 25.4 mm

HARDWARE SHOWN LARGER FOR EASIER IDENTIFICATION

# REPAIR PARTS

12.5 HP 38" TRACTOR-MODEL NO. LRH125 (954001222A)

## ELECTRICAL



# REPAIR PARTS

12.5 HP 38" TRACTOR-MODEL NO. LRH125 (954001222A)

## ELECTRICAL

KEY NO.	PART NO.	DESCRIPTION
1	873510400	Nut, Hex, Keps 1/4-20
2	532108423	Assembly, Cable
3	532133909	Battery
5	532108236	Bracket, Switch
6	532109553	Switch, Interlock, 4 Terminal
8	817021008	Screw, Hex Head, Self-Tapping #10-24 x 1/2
9	532140401	Key, Molded
10	532141226	Cover, Ignition Key
11	532140400	Nut, Ignition
12	532144921	Switch, Ignition
15	532121305	Switch, Plunger
17	532108824	Fuse
18	532128353	Assembly, Cable
19	532143132	Harness, Ignition
20	873350400	Nut, Hex, Jam 1/4-20
21	810090400	Washer, Lock 1/4
22	874780408	Bolt, Hex, Fin. 1/4-20 UNC x 1/2 Grade 5
24	532131563	Cover, Terminal
25	532138406	Solenoid
26	874760412	Bolt, Hex Head 1/4-20 UNC x 3/4
27	819091016	Washer 9/32 x 5/8 x 16 Gauge
28	810040400	Washer, Lock 1/4
29	532121264	Cap, Battery
30	873220400	Nut, Hex, Fin. 1/4-20 UNC
31	532004152	Bulb, Light
32	532142881	Harness, Headlight
33	532110712	Switch, Light
36	811150400	Washer, Lock, Internal Tooth 1/4
39	532141735	Bracket Switch Clutch
55	817490508	Screw Thdrol 5/16 -18 x 1/2

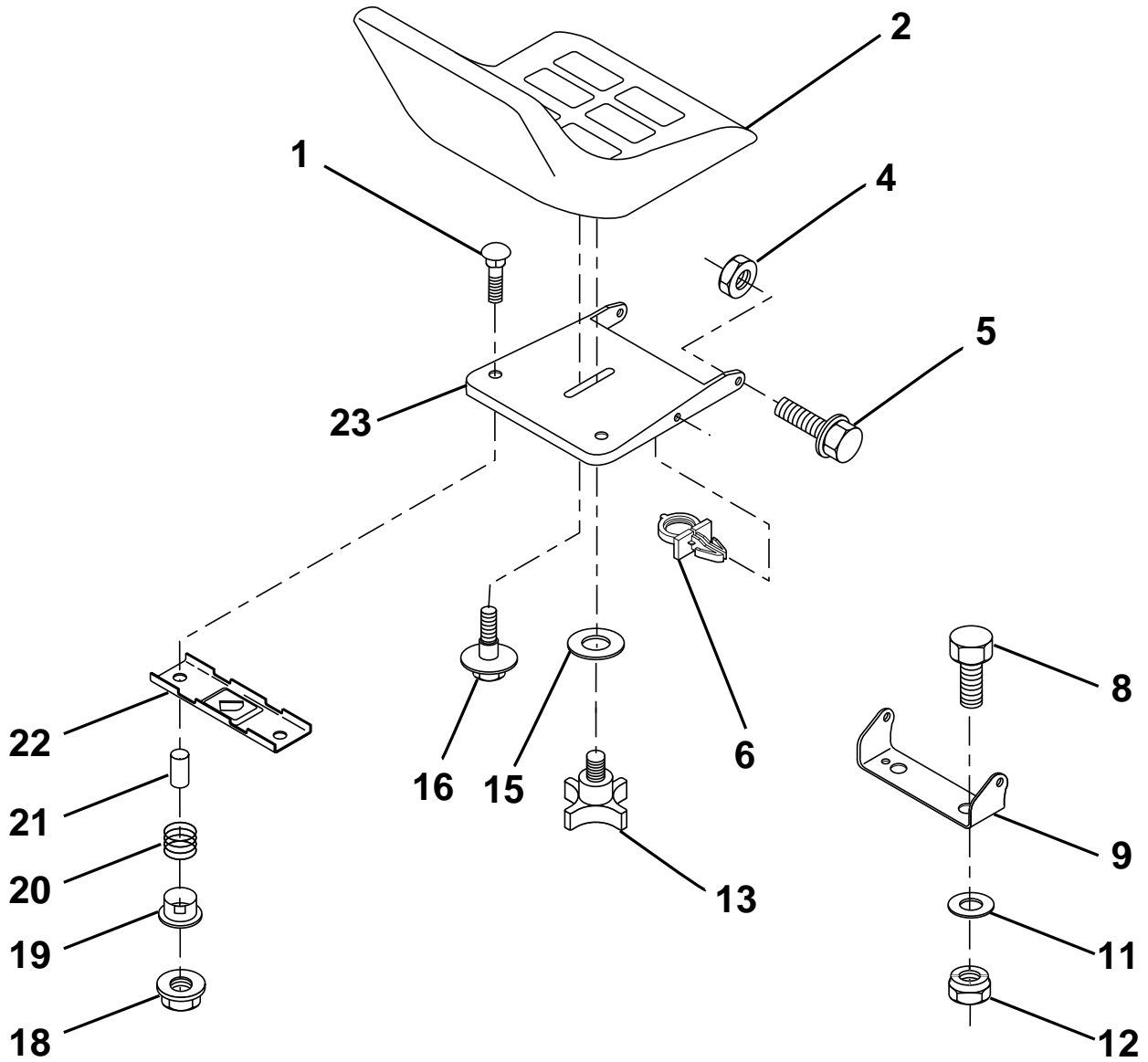
**NOTE:** All component dimensions given in U.S. inches  
1 inch = 25.4 mm

HARDWARE SHOWN LARGER FOR EASIER IDENTIFICATION

# REPAIR PARTS

12.5 HP 38" TRACTOR-MODEL NO. LRH125 (954001222A)

## SEAT



KEY NO.	PART NO.	DESCRIPTION
1	872050411	Bolt, Carriage 1/4-20 x 1-3/8
2	532127398	Seat
4	873800500	Nut, Hex, Lock w/wsh 5/16-18
5	532139888	Bolt, Shoulder 5/16-18 UNC
6	532140407	Clip, Insulated
8	874760616	Bolt, Hex, Fin. 3/8-16 UNC x 1
9	532140551	Bracket, Pivot, Seat
11	819133210	Washer 12/32 x 2 x 10 Gauge
12	873800600	Nut, Hex, Lock Hex w/wsh 3/8-16
13	532120068	Knob, Seat
15	819171912	Washer 17/32 x 1-3/16 x 12 Gauge

KEY NO.	PART NO.	DESCRIPTION
16	532127018	Bolt, Shoulder
18	532123976	Nut, Hex, Large, Flange Lock
19	532121248	Bushing, Snap
20	532121250	Spring, Compression
21	532134300	Spacer, Split, Large .28 Id. x .96
22	532121246	Bracket, Switch Mounting
23	532140552	Pan, Seat

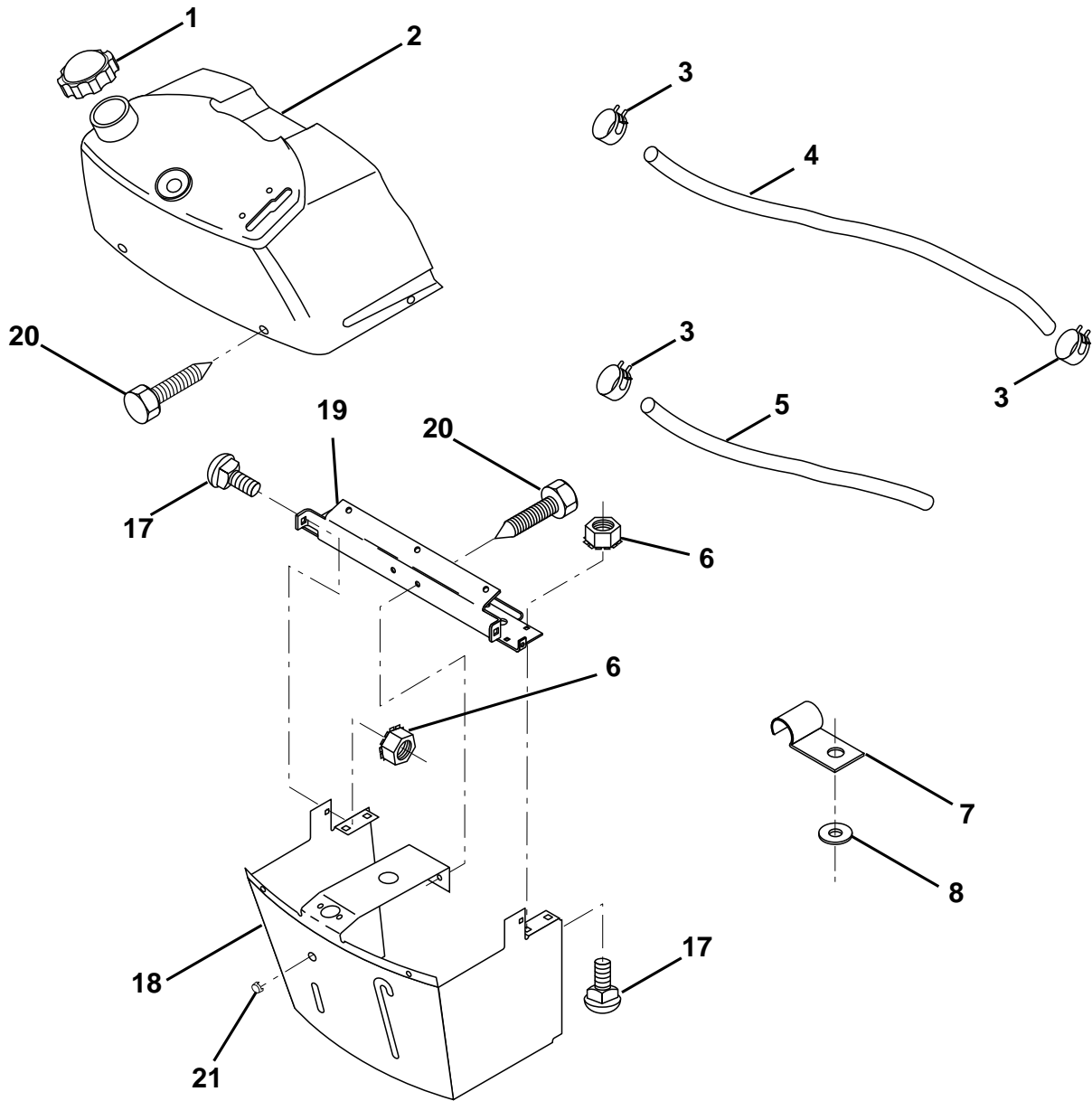
**NOTE:** All component dimensions given in U.S. inches  
1 inch = 25.4 mm

HARDWARE SHOWN LARGER FOR EASIER IDENTIFICATION

# REPAIR PARTS

12.5 HP 38" TRACTOR-MODEL NO. LRH125 (954001222A)

## DASH



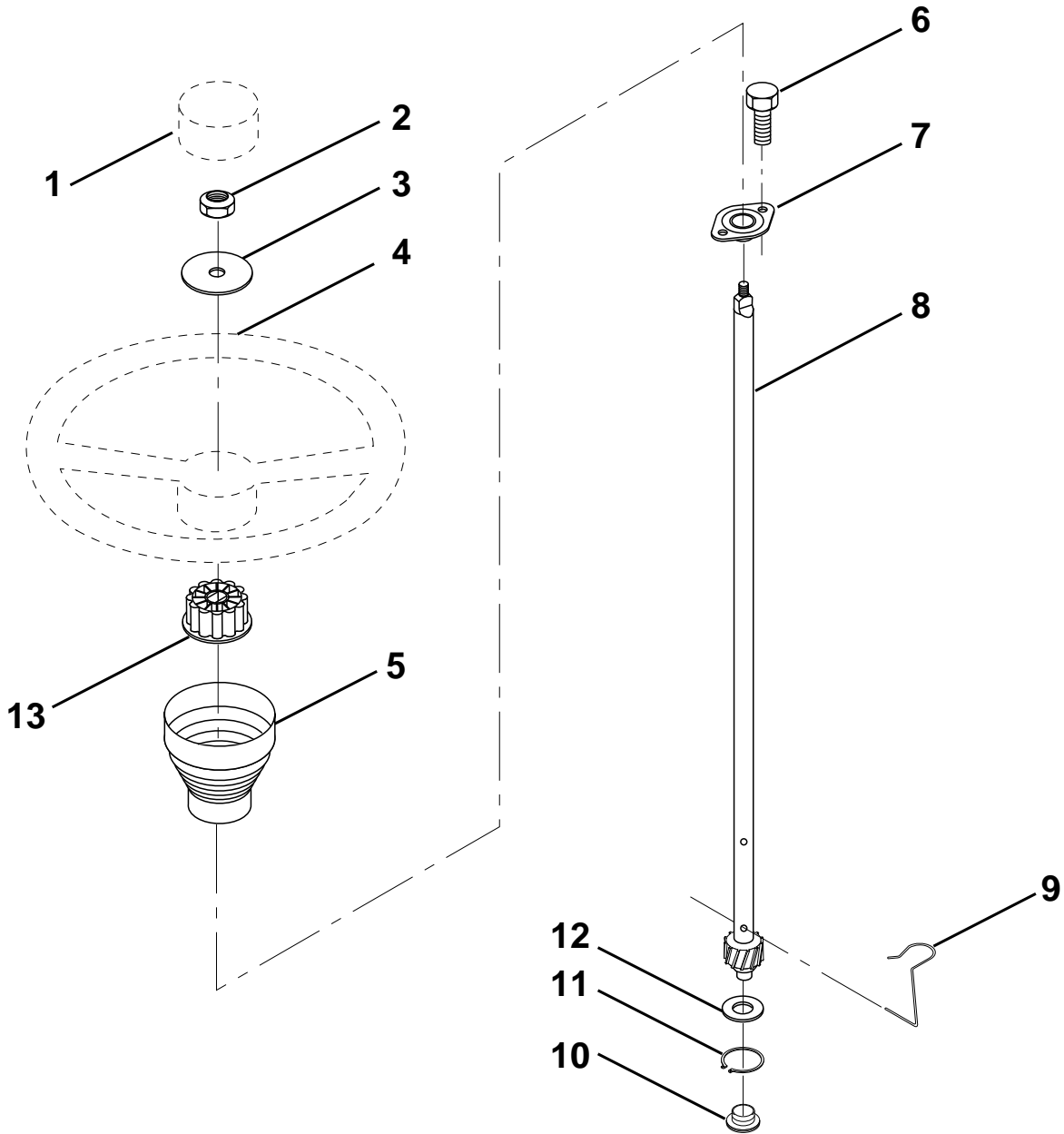
KEY NO.	PART NO.	DESCRIPTION	KEY NO.	PART NO.	DESCRIPTION
1	532142187	Cap, Fuel Tank	17	872110404	Bolt, Carriage 1/4-20 x 1/2 Grade 5
2	532138395	Assembly, Dash & Fuel Tank	18	532131886	Support Assembly, Dash
3	532123487	Clamp, Hose	19	532134744	Brace, Cross
4	532008544	Line, Fuel	20	817060408	Screw, Self-Tapping 1/4-20 x 1/2
5	532008548	Line, Fuel	21	532134014	Plug, Dome, Black
6	873510400	Nut, Hex, Keps 1/4-20	<b>NOTE:</b> All component dimensions given in U.S. inches 1 inch = 25.4 mm		
7	532124996	Clip, Fuel Line			
8	819091216	Washer 9/32 x 3/4 x 16 Gauge			

HARDWARE SHOWN LARGER FOR EASIER IDENTIFICATION

# REPAIR PARTS

12.5 HP 38" TRACTOR-MODEL NO. LRH125 (954001222A)

## STEERING WHEEL



KEY NO.	PART NO.	DESCRIPTION
1	532124416	Insert, Steering Wheel
2	532124701	Locknut 3/8-24 UNF
3	819133808	Washer 12/32 x 2-3/8 x 8 Gauge
4	532124415	Steering Wheel
5	532127396	Sleeve, Steering
6	817431008	Screw, Hex Head #10-16 x 1/2
7	532102803	Bushing, Steering
8	532123651	Shaft, Steering

KEY NO.	PART NO.	DESCRIPTION
9	532124210	Clip, Steering
10	532123438	Bushing, Lower, Steering
11	812000045	Ring, Retaining
12	819211616	Washer 21/32 x 1 x 16 Gauge
13	532104820	Adaptor, Steering Wheel

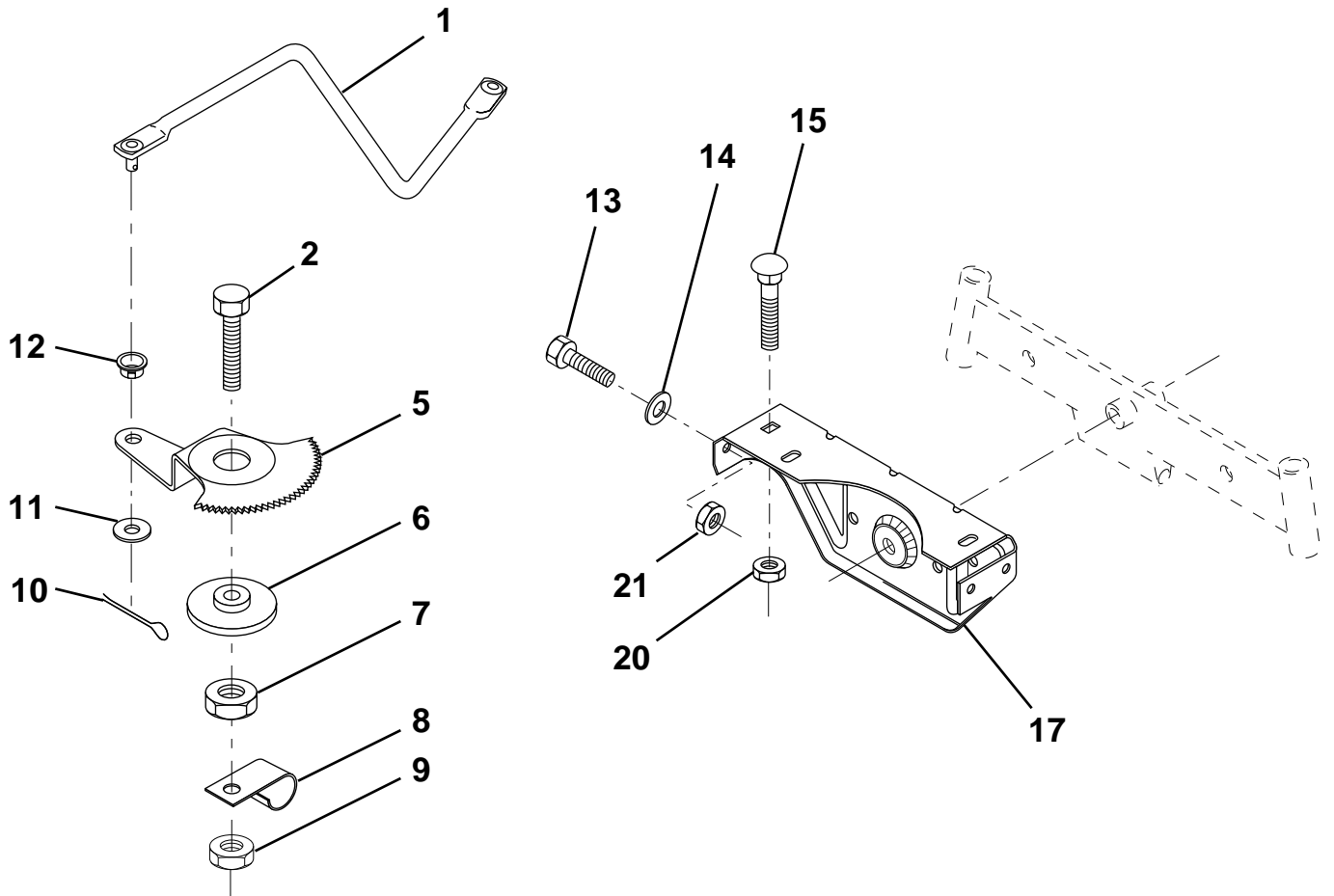
**NOTE:** All component dimensions given in U.S. inches  
1 inch = 25.4 mm

HARDWARE SHOWN LARGER FOR EASIER IDENTIFICATION

# REPAIR PARTS

12.5 HP 38" TRACTOR-MODEL NO. LRH125 (954001222A)

## SECTOR GEAR / AXLE SUPPORT



KEY NO.	PART NO.	DESCRIPTION
1	532132566	Link, Drag
2	874780828	Bolt, Hex, Fin. 1/2-13 x 1-3/4
5	532121926	Gear, Sector
6	532121927	Bushing
7	873030800	Nut, Heavy Hex, Top Lock 1/2-13 UNC
8	532126472	Clip, Insulated
9	873680800	Nut, Crownlock 3/8-16
10	876020412	Pin, Cotter 1/8 x 3/4
11	819131316	Washer 13/32 x 13/16 x 16 Gauge

KEY NO.	PART NO.	DESCRIPTION
12	532126847	Bushing
13	874760512	Bolt, Hex Head 5/16-18 UNC x 1
14	819111416	Washer 11/32 x 7/8 x 16 Gauge
15	872110606	Bolt, Carriage 3/8-16 UNC x 3/4
17	532137096	Support, Front Axle
20	873800600	Nut, Hex, Lock Hex w/wsh 3/8-16
21	873800500	Nut, Hex, Lock Hx w/Ins 5/16-18

**NOTE:** All component dimensions given in U.S. inches  
1 inch = 25.4 mm

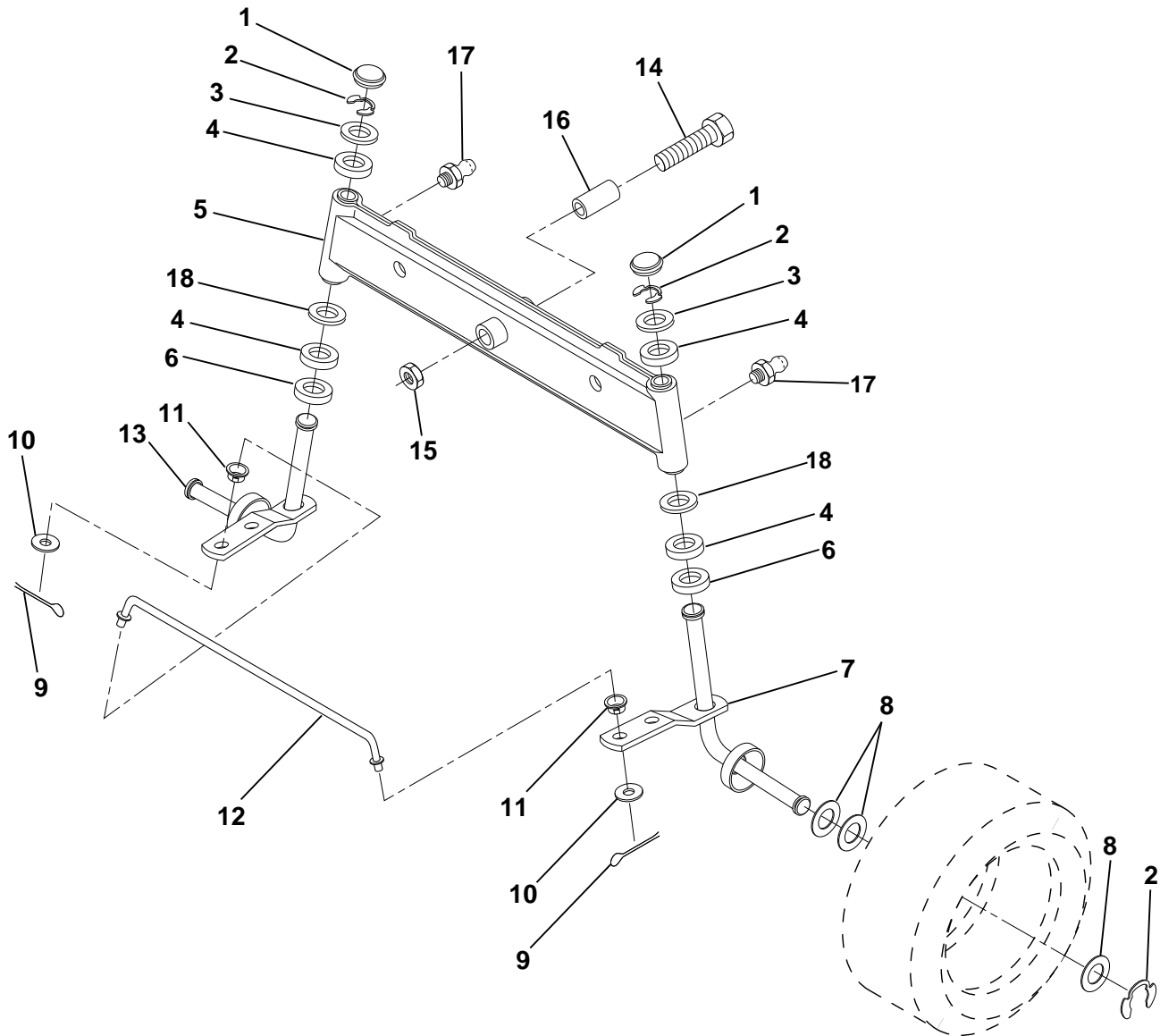
HARDWARE SHOWN LARGER FOR EASIER IDENTIFICATION



# REPAIR PARTS

12.5 HP 38" TRACTOR-MODEL NO. LRH125 (954001222A)

## FRONT AXLE



KEY NO.	PART NO.	DESCRIPTION
1	532121232	Cap, Spindle
2	812000029	Ring, Clip
3	532121748	Washer 25/32 x 1-5/8 x 16 Gauge
4	532124937	Bearing
5	532142033	Axle, Front
6	532124931	Bearing, Thrust
7	532137062	Spindle Assembly, R.H.
8	532121749	Washer 25/32 x 1-1/4 x 16 Gauge
9	876020412	Pin, Cotter 1/8 x 3/4
10	819131316	Washer 13/32 x 13/16 x 16 Gauge

KEY NO.	PART NO.	DESCRIPTION
11	532126847	Bushing
12	532130465	Tie Rod
13	532137061	Spindle Assembly, L.H.
14	874011056	Bolt Hex 5/8-11 Unc x 3-1/2
15	873901000	Nut Lock Flange 5/8-11 Unc
16	532110438	Spacer Bearing
17	532124836	Fitting Grease
18	819272016	Washer 27/32 x 1-1/4 x 16 Ga.

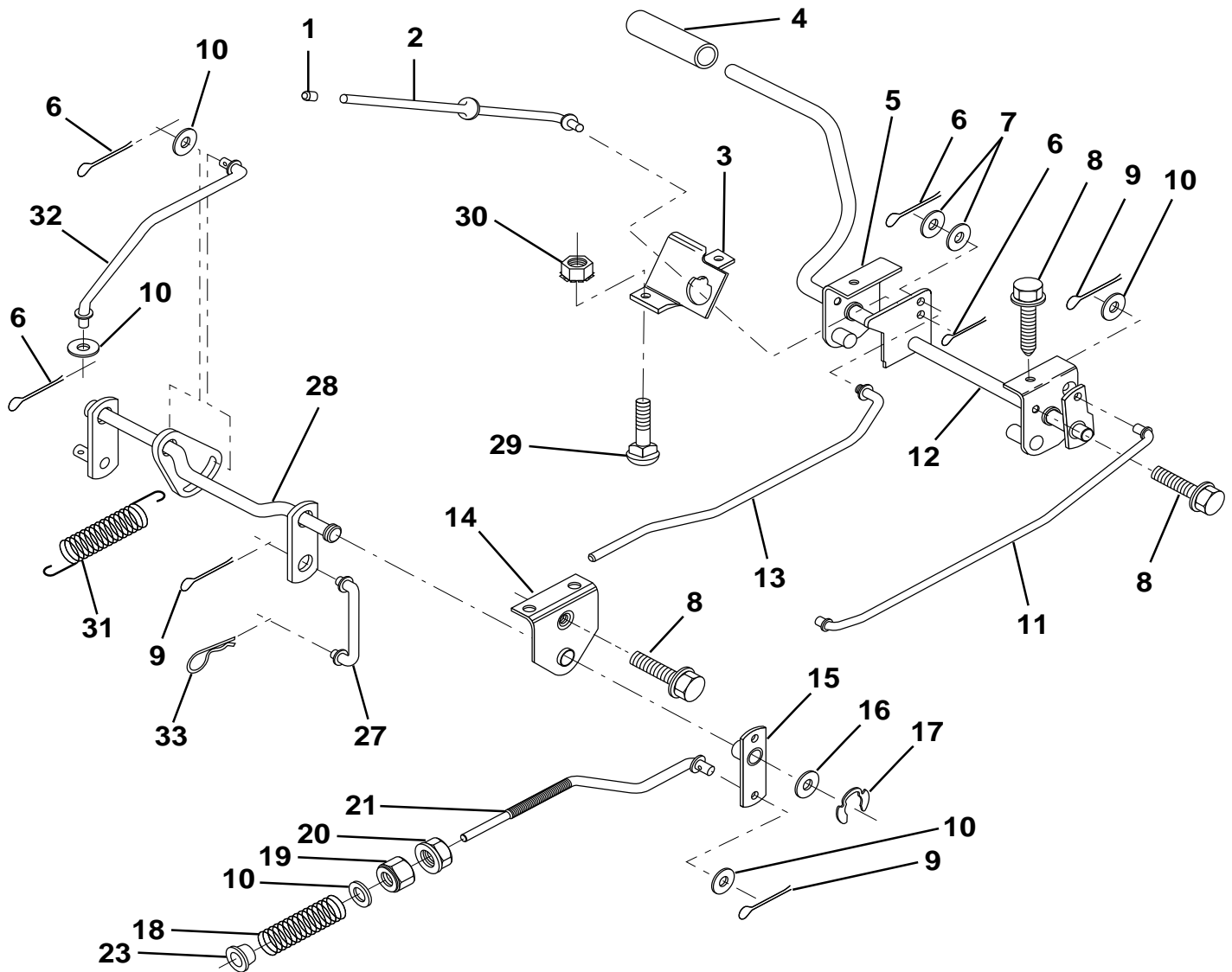
**NOTE:** All component dimensions given in U.S. inches  
1 inch = 25.4 mm

**HARDWARE SHOWN LARGER FOR EASIER IDENTIFICATION**

# REPAIR PARTS

12.5 HP 38" TRACTOR-MODEL NO. LRH125 (954001222A)

## BRAKE / REAR MOWER LIFT ASSEMBLY



KEY NO.	PART NO.	DESCRIPTION	KEY NO.	PART NO.	DESCRIPTION
1	532071673	Cap, Plunger	16	819251816	Washer 25/32 x 1-1/8 x 16 Gauge
2	532123436	Rod, Parking Brake	17	812000034	Ring, Klip
3	532123437	Bracket, Parking Brake	18	532106888	Spring, Brake Rod
4	532008156	Cover, Pedal	19	873350600	Nut, Hex, Jam 3/8-16 UNC
5	532132205	Bracket, Clutch/Brake Pedal, L.H.	20	873800600	Locknut, Hex, w/Wsh Ins 3/8-16 UNC
6	876020312	Pin, Cotter 3/32 x 3/4	21	532144413	Rod, Brake, Rear
7	819131016	Washer 13/32 x 5/8 x 16 Gauge	27	532136780	Link, Lift, Rear
8	817490508	Screw, Hex Hd, Thdrl 5/16-18 x 1/2	28	532140777	Assembly, Rear Mower Lift
9	876020412	Pin, Cotter 1/8 x 3/4	29	872110506	Bolt, Carriage 5/16-18 UNC x 3/4
10	819131316	Washer 13/32 x 13/16 x 16 Gauge	30	873510500	Nut, Hex, Keps 5/16-16 UNC
11	532123543	Rod, Brake, Front	31	532133095	Spring, Counterbalance
12	532139934	Assembly, Clutch/Brake Pedal	32	532133721	Link, Lift Lever
13	532123394	Rod, Clutch	33	532124670	Retainer Spring
14	532121978	Bracket, Lift Shaft			
15	532133332	Assembly, Brake, Pivot, Arm			

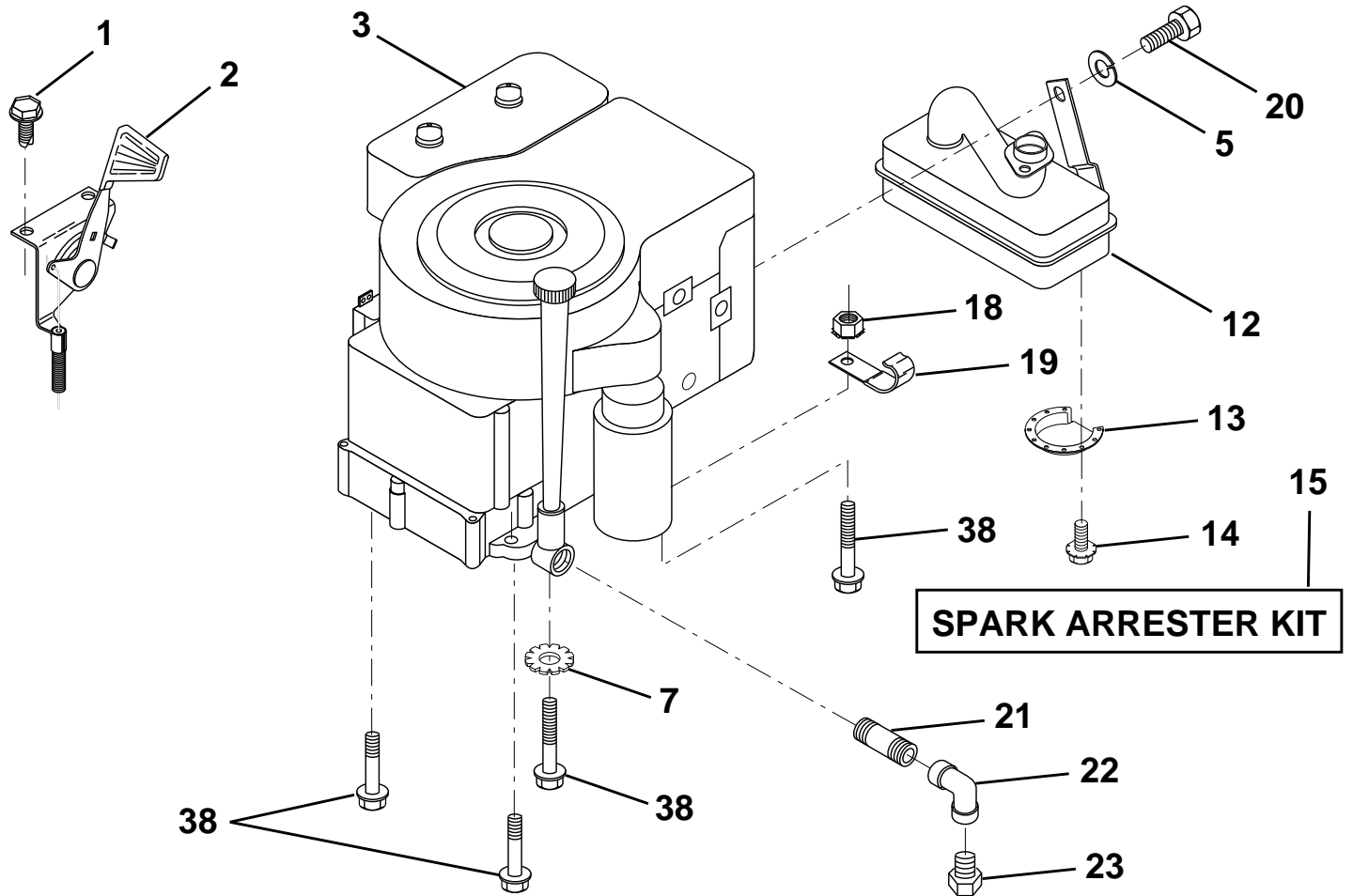
**NOTE:** All component dimensions given in U.S. inches  
1 inch = 25.4 mm

HARDWARE SHOWN LARGER FOR EASIER IDENTIFICATION

# REPAIR PARTS

12.5 HP 38" TRACTOR-MODEL NO. LRH125 (954001222A)

## ENGINE



KEY NO.	PART NO.	DESCRIPTION
1	817060408	Screw, Hex Head, Thread Cutting 1/4-20 x 1/2
2	532132753	Control, Throttle
3	-----	Engine, Kohler, 12.5 HP
5	810040500	Washer, Lock, Hvy Hlcl Spring 5/16
7	811050600	Washer Lock Ext. Tooth 3/8
12	532138149	Muffler
13	532144987	Deflector Muffler
14	817030808	Screw Spiderloc Hex Hd # 8 x 1/2 AB
15	532137180	Arrester, Spark (Optional Equip.)

KEY NO.	PART NO.	DESCRIPTION
18	873510600	Nut, Hex, Keps 3/8-16
19	532124996	Clip, Fuel Line
20	874760508	Bolt, Hex, Fin. 5/16 - 18 x 1/2
21	813280328	Nipple Pipe
22	813200300	Elbow
23	----	Oil Drain Plug (Order From Eng Mfg)
38	532125398	Bolt Hex

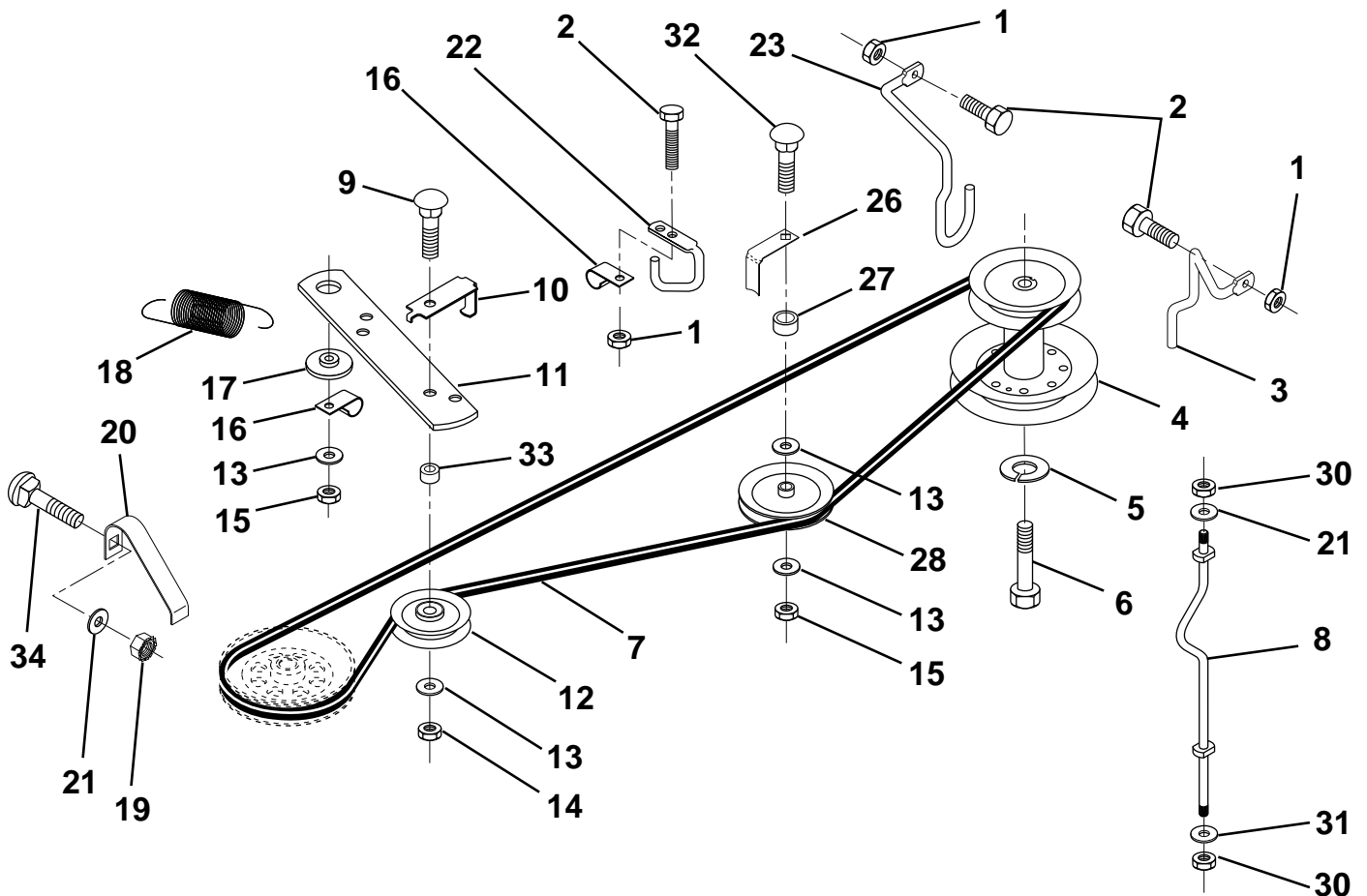
**NOTE:** All component dimensions given in U.S. inches  
1 inch = 25.4 mm

HARDWARE SHOWN LARGER FOR EASIER IDENTIFICATION

# REPAIR PARTS

12.5 HP 38" TRACTOR-MODEL NO. LRH125 (954001222A)

## GROUND DRIVE



KEY NO.	PART NO.	DESCRIPTION	KEY NO.	PART NO.	DESCRIPTION
1	873800500	Nut, Lock Hx w/Ins 5/16-18	18	532131459	Spring, Extension
2	874760512	Bolt, Hex Head 5/16-18 x 3/4	19	873800500	Nut
3	532140917	Keeper, Belt RH Front	20	532140909	Keeper, Belt LH
4	532138029	Pulley, Engine	21	819111116	Washer Nut Lock Hex w/Ins. 5/6-18
5	810040700	Washer, Lock 7/16	22	532123404	Keeper Frame Ground Drive Belt
6	532138887	Bolt, Hex Fin M10 x 1.5 x 75mm	23	532142240	Keeper, Belt LH Front
7	532140910	V-Belt	26	532140913	Keeper, Belt
8	532140785	Keeper, Belt RH	27	532140914	Spacer
9	872140618	Bolt, RDHD SQ 3/8-16 x 2-1/4	28	532139123	Pulley, V-Idler
10	532140780	Keeper, Belt, Idler Pulley	30	873800500	Nut Lock Hex w/Ins. 5/16-18
11	532140911	Arm, Idler	31	819111216	Washer 11/32 x 3/4 x 16 Ga.
12	532123674	Idler, Flat	32	872140620	Carriage Bolt
13	819131316	Washer 13/32 x 13/16 x 16 Gauge	33	532000160	Spacer
14	873930600	Nut, Centerlock 3/8-16	34	872140506	Carriage Bolt
15	873800600	Nut, Hex, Lock Hex w/wsh 3/8-16			
16	532126472	Clip Insulator			
17	532122052	Spacer, Retainer			

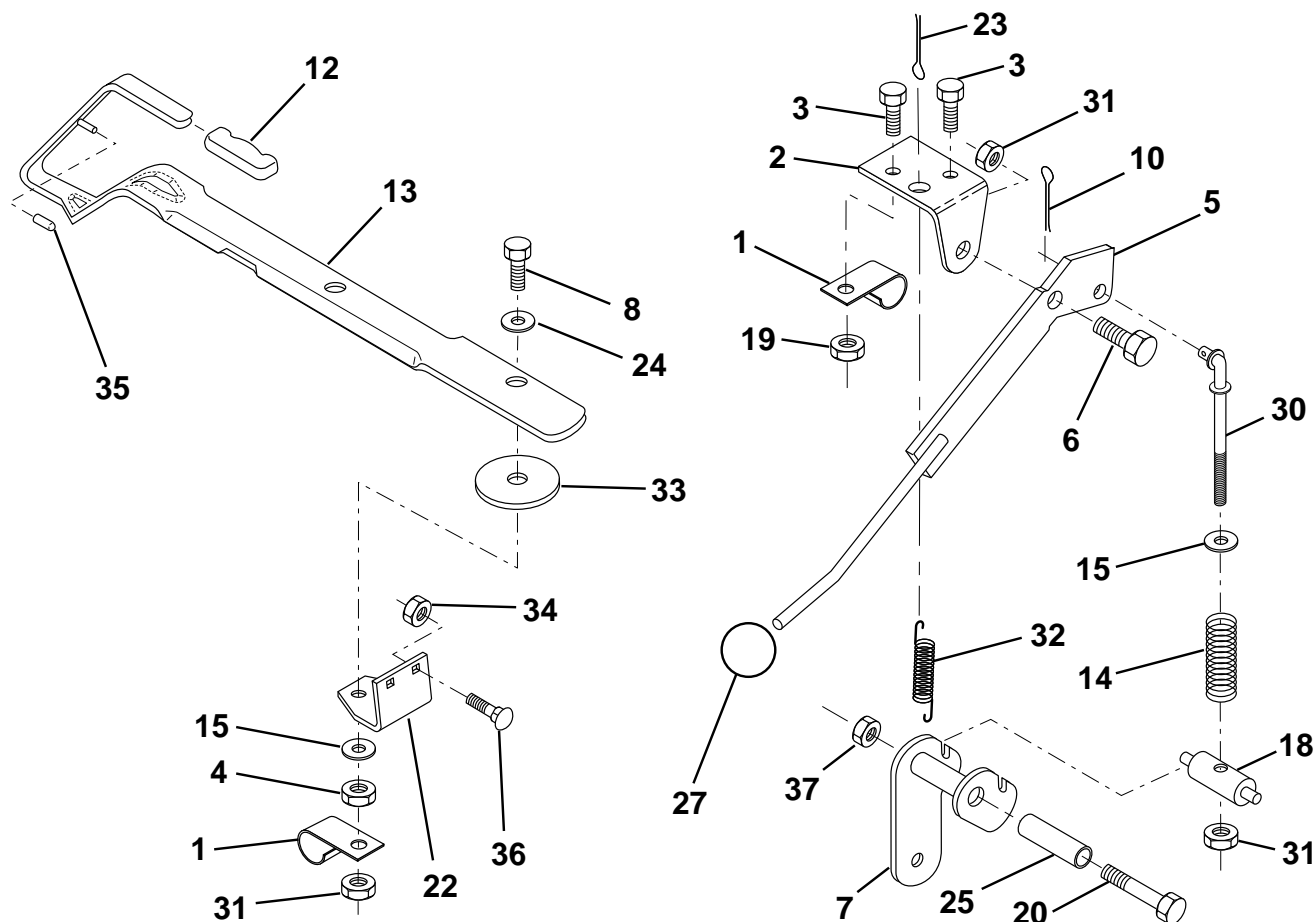
**NOTE:** All component dimensions given in U.S. inches  
1 inch = 25.4 mm

HARDWARE SHOWN LARGER FOR EASIER IDENTIFICATION

# REPAIR PARTS

12.5 HP 38" TRACTOR-MODEL NO. LRH125 (954001222A)

## MOWER LIFT LEVER



KEY NO.	PART NO.	DESCRIPTION
1	532126470	Clip, Insulated
2	532122018	Bracket, Mower Clutch
3	874780408	Bolt, Hex Hd, Fin. 1/4-20 UNC x 1/2 Grade 5
4	873800600	Nut, Lock Hex W/Ins 3/8-16 UNC
5	532132552	Assembly, Clutch Lever
6	532106451	Bolt, Shoulder
7	532141435	Assembly, Mower Clutch Arm
8	874930624	Bolt, Hex Head 3/8-16 UNC x 1-1/2
10	876020412	Pin, Cotter 1/8 x 3/4
12	532122027	Handle, Lift Lever
13	532136658	Assembly, Lift Handle
14	532133939	Spring, Compression
15	819131616	Washer 13/32 x 1 x 11 Gauge
18	532135107	Trunnion, Threaded 3/8-16
19	873680400	Nut, Crownlock 1/4-20
20	874760644	Bolt, Hex Hd, Fin. 3/8-16 UNC x 2-3/4

KEY NO.	PART NO.	DESCRIPTION
22	532132561	Bracket, Lift Lever
23	876020312	Pin, Cotter 3/32 x 3/4
24	532007672	Washer 25/64 x 1-1/4 x 12 Gauge
25	532121933	Tube, Spacer
27	532121466	Knob
30	532135039	Rod, Tension, Clutch
31	873800600	Nut Lock Hex w/wsh 3/8 - 16
32	532133435	Spring, Extension, Return
33	532062333	Washer .390 x 1.437 x .074
34	873800500	Nut, Lock Hx w/Ins 5/16-18
35	532133603	Cap, Vinyl, Red
36	872140506	Bolt, Carriage 5/16-18 x 3/4
37	873680600	Nut Crownlock 3/8-16

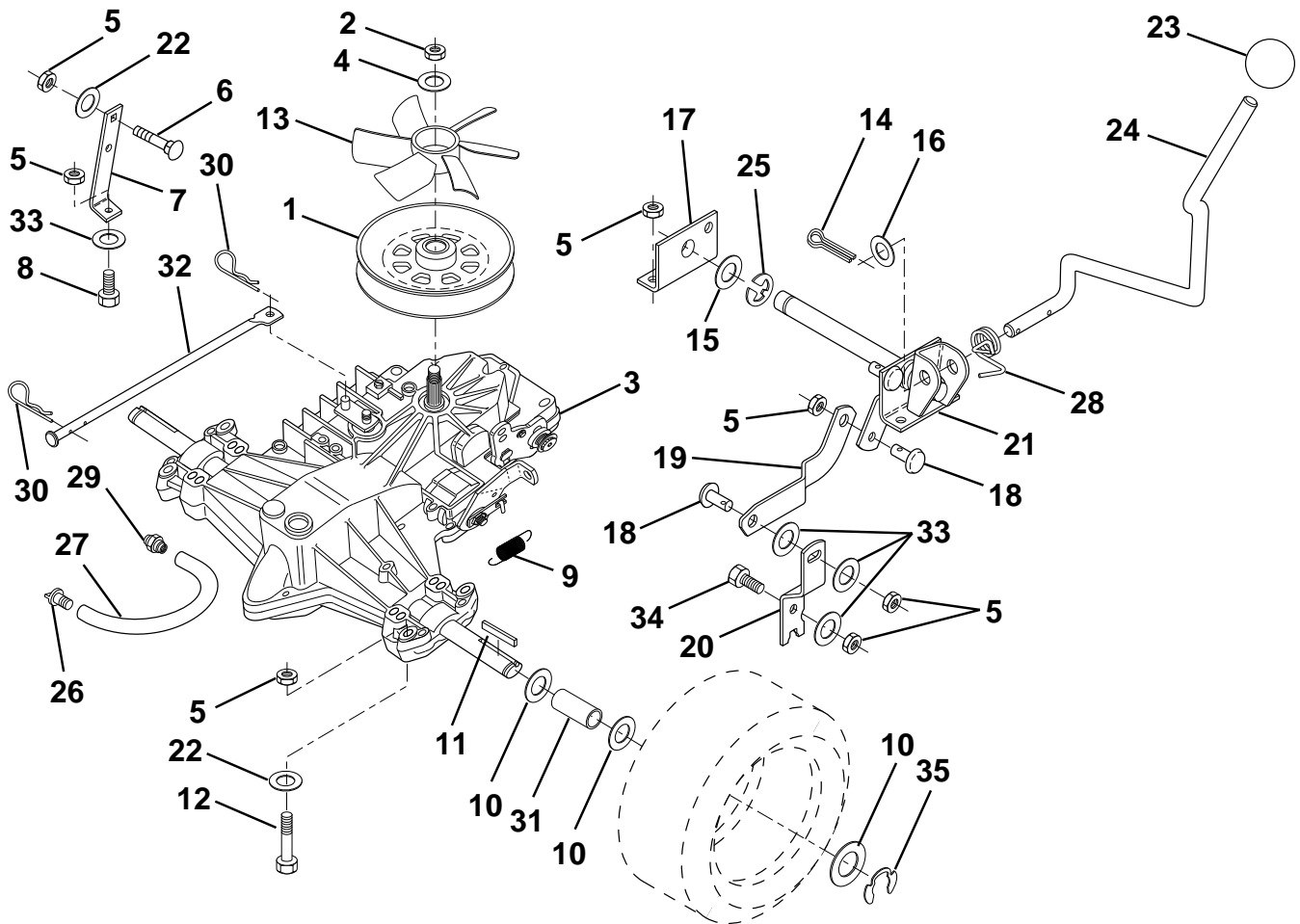
**NOTE:** All component dimensions given in U.S. inches  
1 inch = 25.4 mm

HARDWARE SHOWN LARGER FOR EASIER IDENTIFICATION

# REPAIR PARTS

12.5 HP 38" TRACTOR-MODEL NO. LRH125 (954001222A)

## TRANSAXLE



KEY NO.	PART NO.	DESCRIPTION	KEY NO.	PART NO.	DESCRIPTION
1	532140779	Pulley	20	532140773	Lever, Shift
2	532009204	Nut Lock 1/2-20 UNF x 3/4 x 7/16	21	532140764	Pivot Shaft Assembly
3	532140607	Transaxle, Hydro 0310-0500	22	819111116	Washer 11/32 x 11/16 x 16 Ga.
4	819171912	Washer 17/32 x 1-3/16 x 12 Ga.	23	532140845	Knob, Shifter
5	873800500	Nut Lock Hex w/Ins. 5/16-18	24	532140765	Rod, Shifter
6	872140506	Bolt, Carriage	25	812000002	E-Ring
7	532140774	Strap, Torque	26	-----	Cap, Vent Hose
8	874760524	Bolt Fin Hex 5/16-18 x 1-1/2	27	532142564	Hose, Vent
9	532110422	Spring Brake	28	532140772	Spring, Torsion
10	532121749	Washer 25/32 x 1-1/4 x 16 Gauge	29	-----	Nipple, Vent Hose
11	532123583	Key, Square	30	532124788	Retainer Spring
12	874760540	Bolt, Hex Head 5/16-18 x 2-1/2	31	532121199	Spacer
13	532140778	Fan, Transaxle, Hydro	32	532140912	Actuator, Bypass, Hydro
14	876020416	Pin, Cotter 1/8 x 1	33	819111216	Washer 11/32 x 3/4 16 Ga.
15	819212013	Washer 21/32 x 1-1/4 x 13 Ga.	34	874760516	Bolt Hex Hd. 5/16-18 x 1
16	819171216	Washer 17/32 x 3/4 x 16 Ga.	35	812000001	E-Ring
17	532140763	Support, Shift Handle			
18	532140769	Pivot Pin			
19	532140767	Link, Shift			

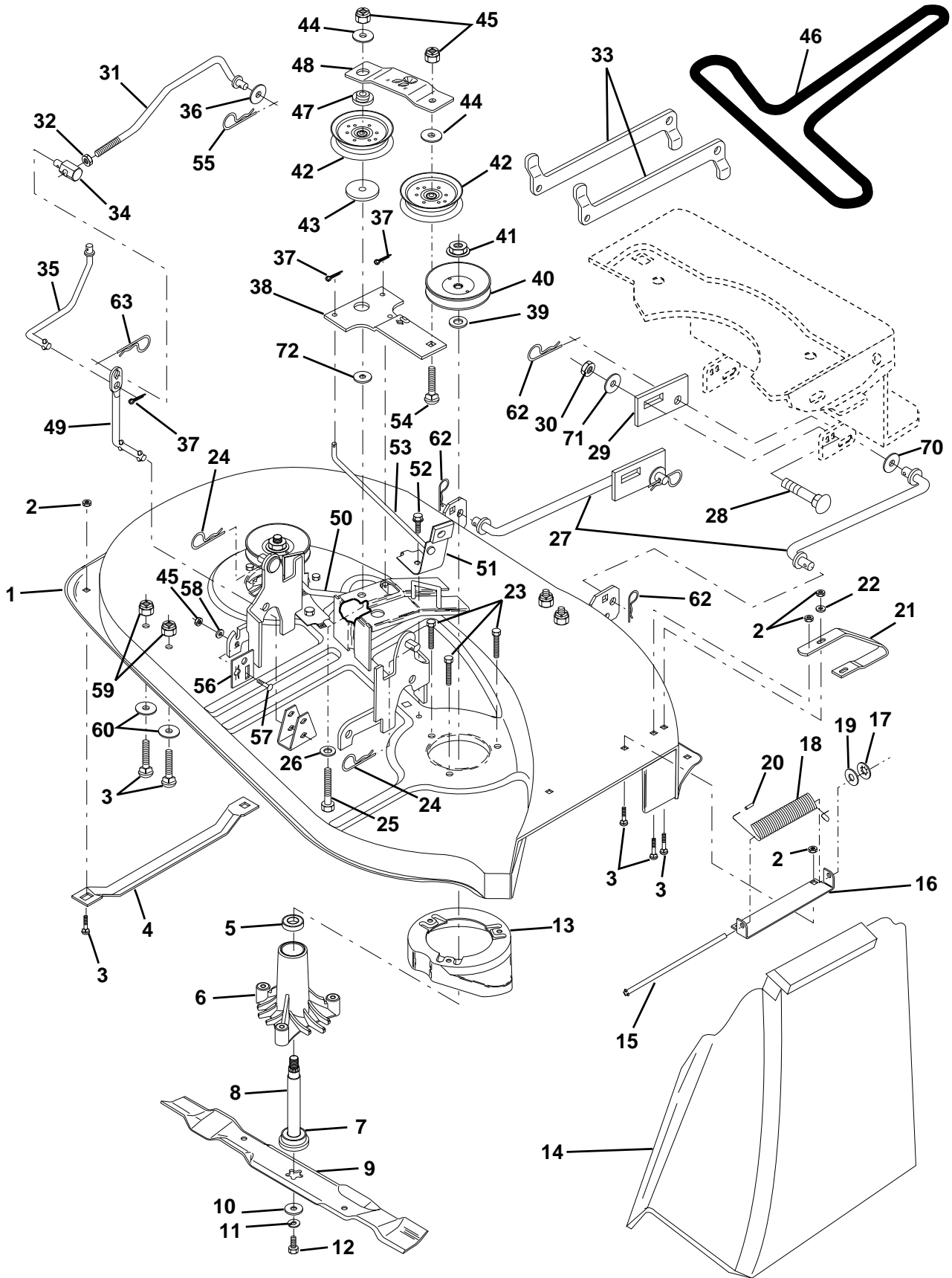
**NOTE:** All component dimensions given in U.S. inches  
1 inch = 25.4 mm

**HARDWARE SHOWN LARGER FOR EASIER IDENTIFICATION**

# REPAIR PARTS

12.5 HP 38" TRACTOR-MODEL NO. LRH125 (954001222A)

## MOWER DECK



# REPAIR PARTS

12.5 HP 38" TRACTOR-MODEL NO. LRH125 (954001222A)

## MOWER DECK

KEY NO.	PART NO.	DESCRIPTION	KEY NO.	PART NO.	DESCRIPTION
1	532142830	Mower Deck Assembly	39	532129963	Washer .150 Thick
2	873800500	Nut, Lock Hx w/Ins 5/16-18	40	532129206	Pulley, Mandrel
3	872140506	Bolt, Carriage 5/16-18 x 3/4	41	532137266	Nut, Flangelock 9/16
4	532125074	Runner, L.H.	42	532121316	Pulley, Flat Idler
5	532110485	Bearing	43	532122052	Spacer, Retainer
6	532128774	Housing, Mandrel	44	819131612	Washer 13/32 x 1 x 12 Gauge
7	532129895	Bearing	45	873800600	Nut, Lock Hex W/Ins. 3/8-16
8	532137645	Shaft and Bearing Assembly, Mandrel (Includes Key Number 7)	46	532126520	Belt
9	532134148	Blade	47	532133502	Spacer, Idler Arm
10	532140296	Washer, Hardened	48	532133503	Stiffener, Idler Arm
11	810030600	Washer, Lock 3/8	49	532133551	Rod, Pivot
12	532850857	Bolt, Hex 3/8-24 x 1-1/4 Grade 8	50	532131289	Rod, Brake, L.H.
13	532140329	Stripper, Mower, Vented	51	532130840	Brake Assembly
14	532106736	Shield, Deflector	52	817490512	Screw, Hex Washer Head, Thd., Roll. 5/16-18 x 3/4
15	532106735	Rod, Hinge	53	532131288	Rod, Brake, R.H.
16	532137607	Bracket Assembly, Deflector	54	872110614	Bolt, Carriage 3/8-16 x 1-3/4 Grade 5
17	532110452	Pushnut	55	532124961	Spring, Retainer
18	532123713	Spring, Deflector	56	532136782	Adjustment Plate, Rear Link, L.H.
19	819111016	Washer 11/32 x 5/8 x 16 Gauge	57	872140608	Bolt, Carriage 3/8-16 x 1
20	532105304	Cap, Sleeve	58	819131212	Washer 13/32 x 3/4 x 12 Gauge
21	532128772	Runner, R.H.	59	873800500	Locknut, Hex, with Washer Insert 5/16-18
22	819111216	Washer 11/32 x 3/4 x 16 Gauge	60	819111112	Washer 11/32 x 11/16 x 12 Gauge
23	532138776	Screw Thdrol Hex Head Zinc MWR	62	532124660	Retainer Spring
24	532124670	Retainer, Spring	63	532124788	Retainer Spring
25	874600636	Bolt Hex 3/8-16 x 2-1/4	70	819162016	Washer 1/2 x 1-1/4 x 16 Ga.
26	819131612	Washer 13/32 x 1 x 12 Gauge	71	819131610	Washer Flat 13/32 x 1 x 10 Ga.
27	532139756	Link Assembly, Front	72	532133943	Washer Hardened
28	872140608	Bolt RDHD SQNK 3/8 - 16 x 1	--	532130794	Mandrel Assembly (Includes Key Numbers 5-8, 10-12, 39 and 41)
29	532139757	Plate Slide Link	--	532144975	Mower Deck, Complete (Std. Deck Order Mulcher Plate Components Separately Key Nos. 64-69)
30	873800600	Nut, Lock Hex w/washer 3/8 - 16			
31	532140915	Clutch Rod, Primary			
32	873350600	Nut, Hex, Jam 3/8-16			
33	532132559	Arm, Suspension, Rear			
34	532133604	Trunnion 3/8-16			
35	532132554	Clutch Rod, Secondary			
36	819131316	Washer 13/32 x 13/16 x 16 Gauge			
37	876020312	Pin, Cotter 3/32 x 3/4			
38	532133840	Idler Arm			

**NOTE:** All component dimensions given in U.S. inches  
1 inch = 25.4 mm

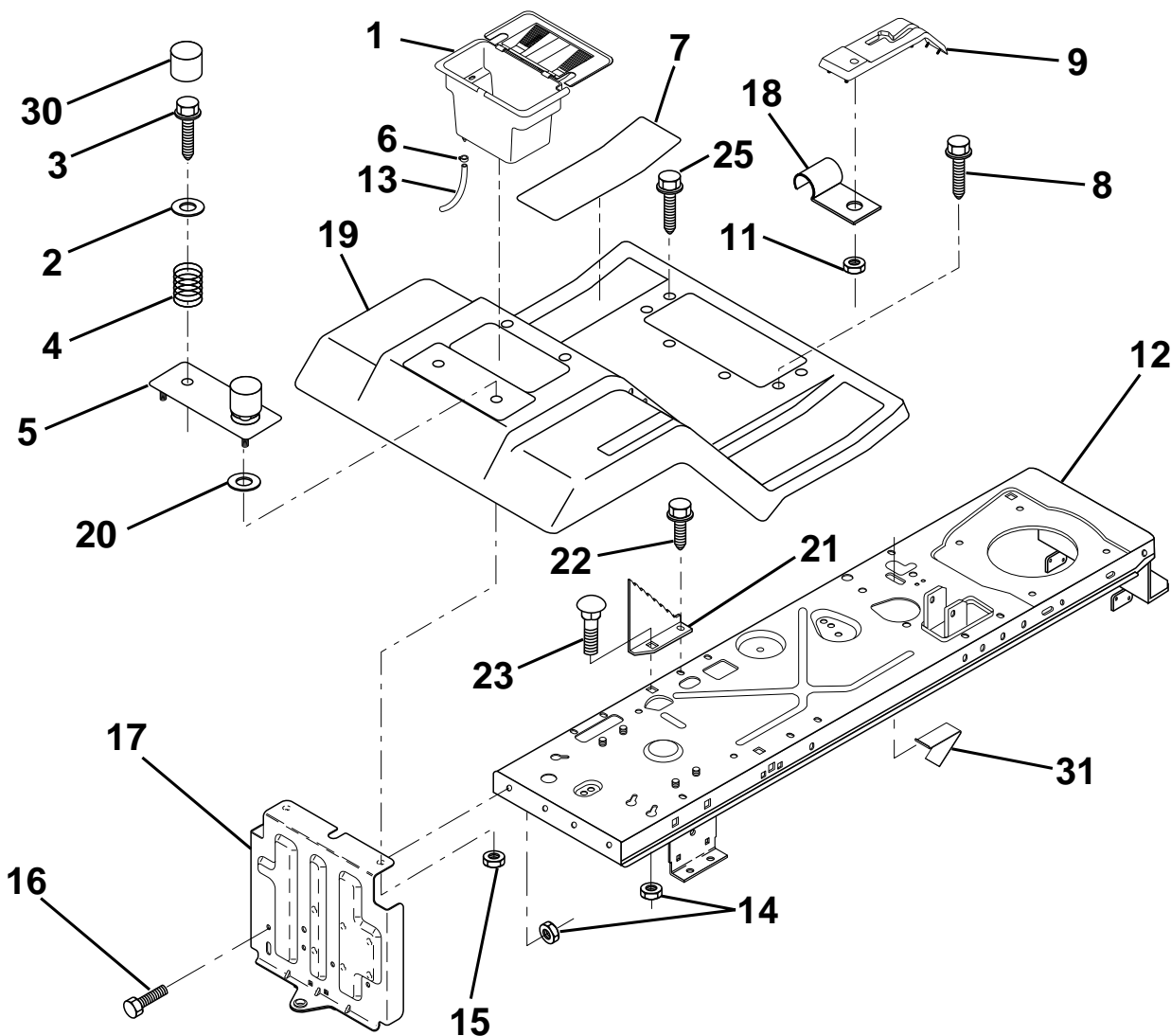
HARDWARE SHOWN LARGER FOR EASIER IDENTIFICATION



# REPAIR PARTS

12.5 HP 38" TRACTOR-MODEL NO. LRH125 (954001222A)

## FENDER/CHASSIS



KEY NO.	PART NO.	DESCRIPTION
1	532129965	Case Asm. Battery
2	819132012	Washer 13/32 x 1-1/4 x 12 Ga.
3	817490612	Screw Thdrol. 3/8-16 x 3/4
4	532124181	Spring seat
5	532125142	Plate Asm. Pnt Battery Fender
6	532109596	Clamp Hose Olive
7	532126700	Pad Footrest Rubber Deluxe
8	817490512	Screw Thdrol. 5/16-18 x 3/4
9	532140919	Console Shf. 6sp W/Ign.
11	532124346	Nut Self Thd. Wsh-Hd 1/4
12	532140784	Chassis Asm. Weldment
13	532109238	Tube Plastic
14	873800500	Nut Lock Hex W/Ins 5/16-18 UNC
15	873510400	Nut Keps Hex 1/4-20

KEY NO.	PART NO.	DESCRIPTION
16	874760512	Bolt Hex Hd. 5/16-18 x 3/4
17	532140782	Drawbar Asm.
18	532126470	Clip Insulated
19	532141366	Fend/Foot Asm. Pnt Shf. Fnd.
20	819091413	Washer 9/32 x 7/8 x 13 Ga.
21	532140297	Bracket Stop Depth
22	817490508	Screw Thdrol 5/16-18 x 1/2
23	872110506	Bolt Rdhdsqnk. 5/16-18 x 3/4
25	817490516	Scr-Hex Wsh Rol 5/16-18 x 1
30	532124238	Cap Spring
31	532141736	Switch Actuator

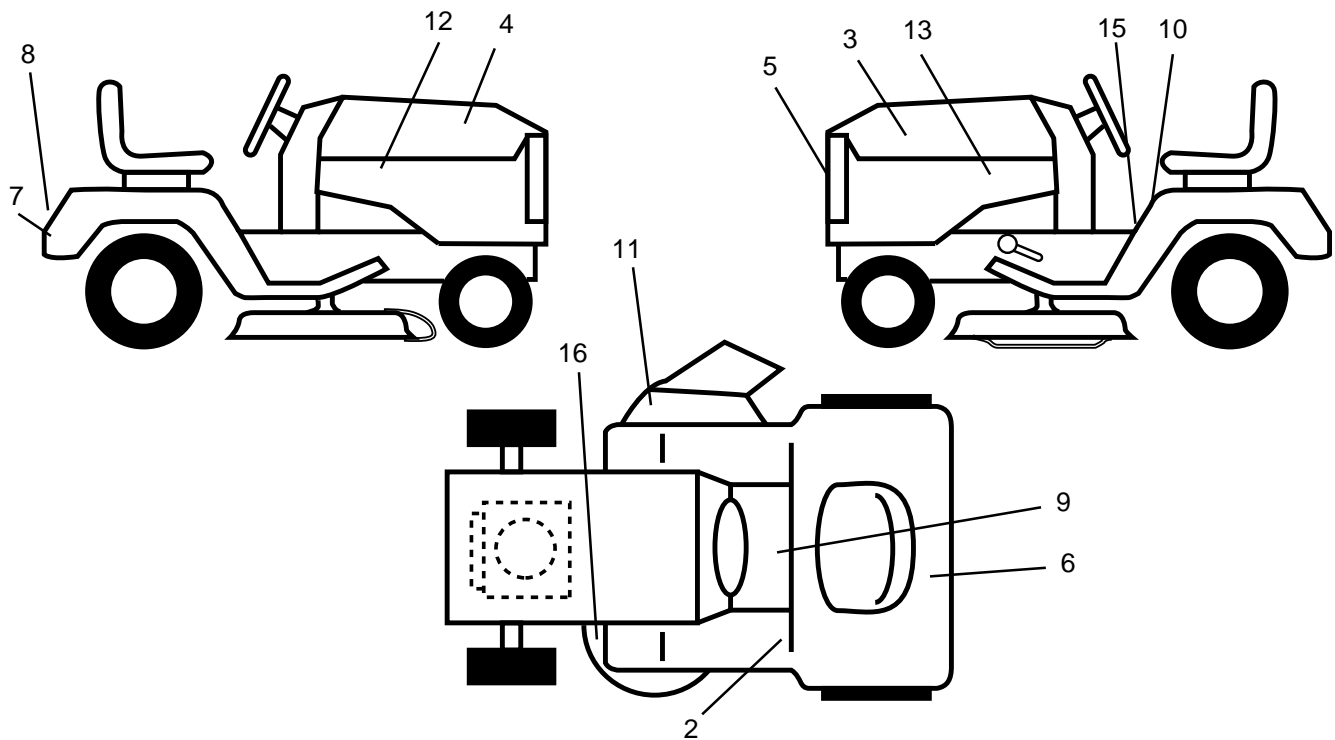
**NOTE:** All component dimensions given in U.S. inches  
1 inch = 25.4 mm

HARDWARE SHOWN LARGER FOR EASIER IDENTIFICATION

# REPAIR PARTS

12.5 HP 38" TRACTOR-MODEL NO. LRH125 (954001222A)

## DECALS

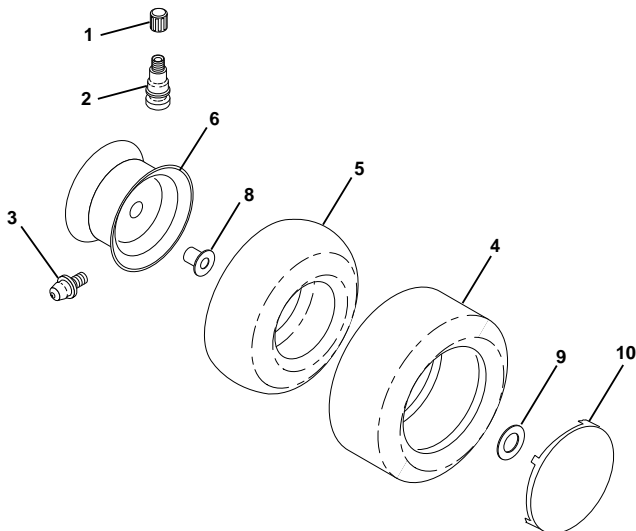


KEY NO.	PART NO.	DESCRIPTION
2	532132928	Decal Indicator Height
3	532140206	Decal, Hood, L.H.
4	532140205	Decal, Hood, R.H.
5	532140213	Decal, Logo, Grill
6	532121549	Decal, Caution Battery
7	532141484	Decal, Drawbar
8	532131582	Decal, Logo, Fender
9	532142336	Decal, Cold Start
10	532133795	Decal, Fender, Caution
11	532137259	Decal, Warning, Multi-Language

KEY NO.	PART NO.	DESCRIPTION
12	532140848	Decal, Hood, Insert, R.H.
13	532140849	Decal, Hood, Insert, L.H.
15	532138269	Decal, Instruction, Operating
16	532136830	Decal, V-Belt Schematic
--	532145021	Manual, Owner's (Eng.)
--	532145022	Manual, Owner's (Fre.)

Available accessories not included with tractor:  
 -- CR 38 Grass Catcher  
 -- MK 380 Mulcher Kit

## WHEELS & TIRES



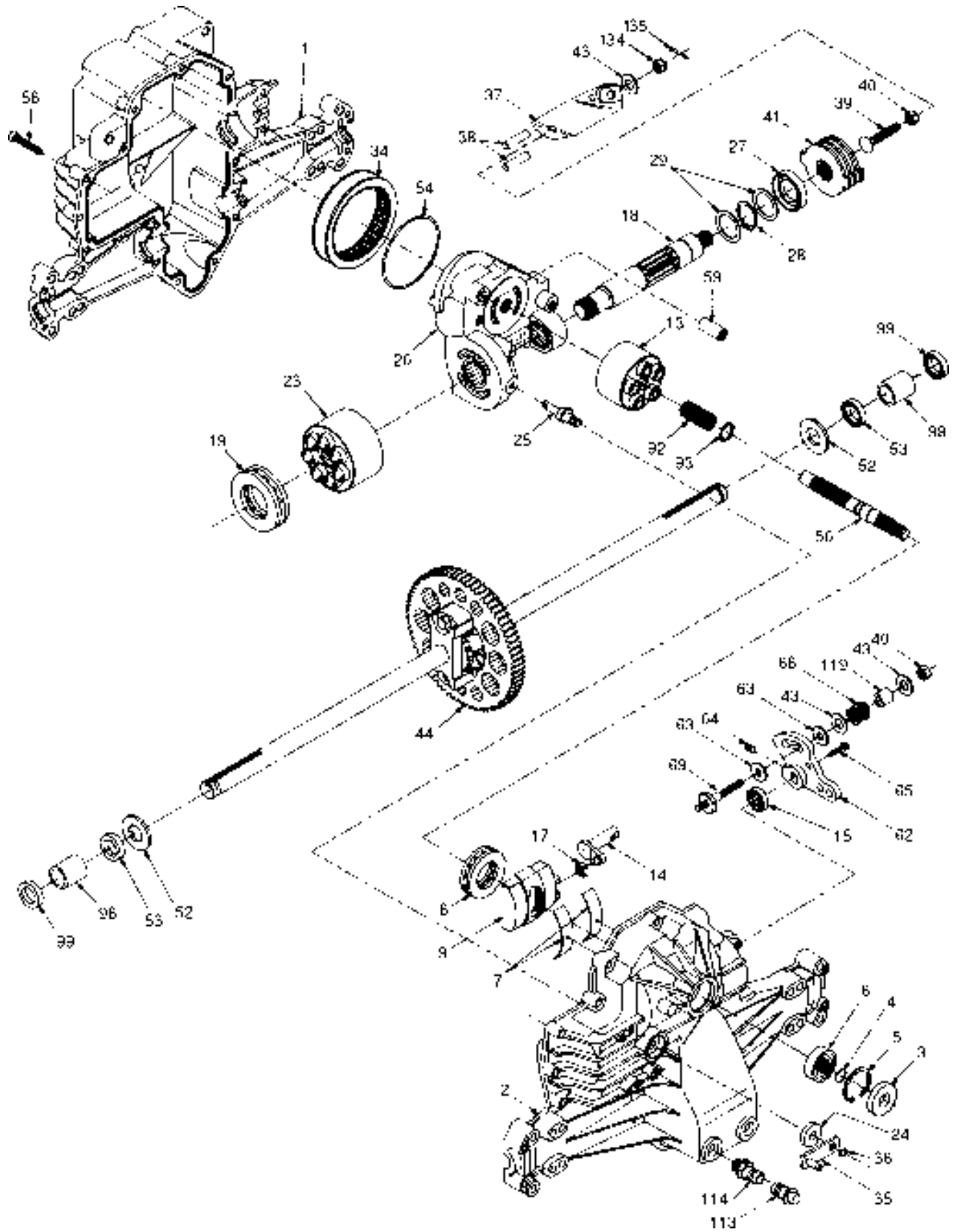
KEY NO.	PART NO.	DESCRIPTION
1	532059192	Cap, Valve Stem
2	532065139	Stem, Valve
3	532124957	Fitting, Grease (Front Wheels Only)
4	532137422	Tire, Front
	532132703	Tire, Rear
5	532059904	Tube, Front Tire
	532008134	Tube, Rear Tire (Optional - Service Item Only)
6	532142537	Rim, Front
	532140453	Rim, Rear
8	532124959	Bearing Flange
9	532121748	Washer 25/32 x 1-5/8 x 16 Gauge
10	532124577	Wheel cover
	532124578	Wheel cover

**NOTE:** All component dimensions given in U.S. inches  
 1 inch = 25.4 mm

# REPAIR PARTS

12.5 HP 38" TRACTOR-MODEL NO. LRH125 (954001222A)

TRANSAXLE HYDROGEAR, MODEL NO. 319-0500



# REPAIR PARTS

12.5 HP 38" TRACTOR-MODEL NO. LRH125 (954001222A)

TRANSAXLE HYDROGEAR, MODEL NO. 319-0500

KEY PART NO. NO.	DESCRIPTION	KEY PART NO. NO.	DESCRIPTION		
1	532142986	Housing, Lower	40	532142957	Locknut, Hex 5/16-24 UNJC
2	532142987	Assembly, Upper Housing	41	532142958	Brake Rotor/Stator Kit
3	532142932	Seal, Lip	43	532142884	Washer 7/16 x 7/8 x .060
4	532142928	Ring, Wire Retaining	44	532142990	Differential Assembly
5	532142933	Ring, Retaining	52	532142991	Washer 3/4 x 1.5 x .13
6	532142934	Bearing, Shaft Ball	53	532142961	Seal .75 x 1.25 x .250
7	532142935	Bearing, Cradle	54	532142962	O-Ring .103 x 2.987 ID
8	532142936	Bearing, Thrust 30 x 52 x 13	56	532142963	Shaft, Input
9	532142937	Swashplate, Variable	58	532142964	Bolt 1/4-20 x 1.38
13	532142938	Block, Cylinder Assembly	59	532142965	Pin .5 OD x .43 ID x .750
14	532142939	Arm, Trunnion	62	532142966	Arm, Control
15	532142940	Seal, Lip	63	532142967	Puck, Dampener
17	532142941	Guide, Slot	64	532142920	Set Screw
18	532142988	Shaft, Motor	65	532142968	Bolt #8-32 x .875
19	532142943	Bearing, Thrust 42 x 68 x 16	68	532142969	Spring
23	532142944	Block, Cylinder Assembly	69	532144610	Stud 5/16-24
24	532142945	Seal, Lip 10 x 25 x 7	92	532142977	Spring, Block
25	532142946	Actuator, Bypass	93	532142978	Washer, Block Thrust
26	532142947	Center Section Assembly Kit	98	532142993	Sleeve Bearing
27	532142948	Seal, Lip 26 x 42 x 8	99	532142976	Seal, Wiper
28	532142949	Ring, Retaining	113	532142917	Cap, Vent Assembly
29	532142950	Washer 26 x 35 x 1	114	532142918	Fitting, O-Ring Assembly
34	532142951	Oil Filter Element	119	532142980	Spacer
35	532142952	Arm, Bypass	134	532144607	Nut, Castle 5/16-24
36	532142953	Ring, Retaining	135	532144608	Pin, Cotter
37	532142954	Arm, Actuating			
38	532142955	Pin, Actuating			
39	532142956	Bolt 5/16-24 x 1-3/4			

**NOTE:** All component dimensions given in U.S. inches  
1 inch = 25.4 mm